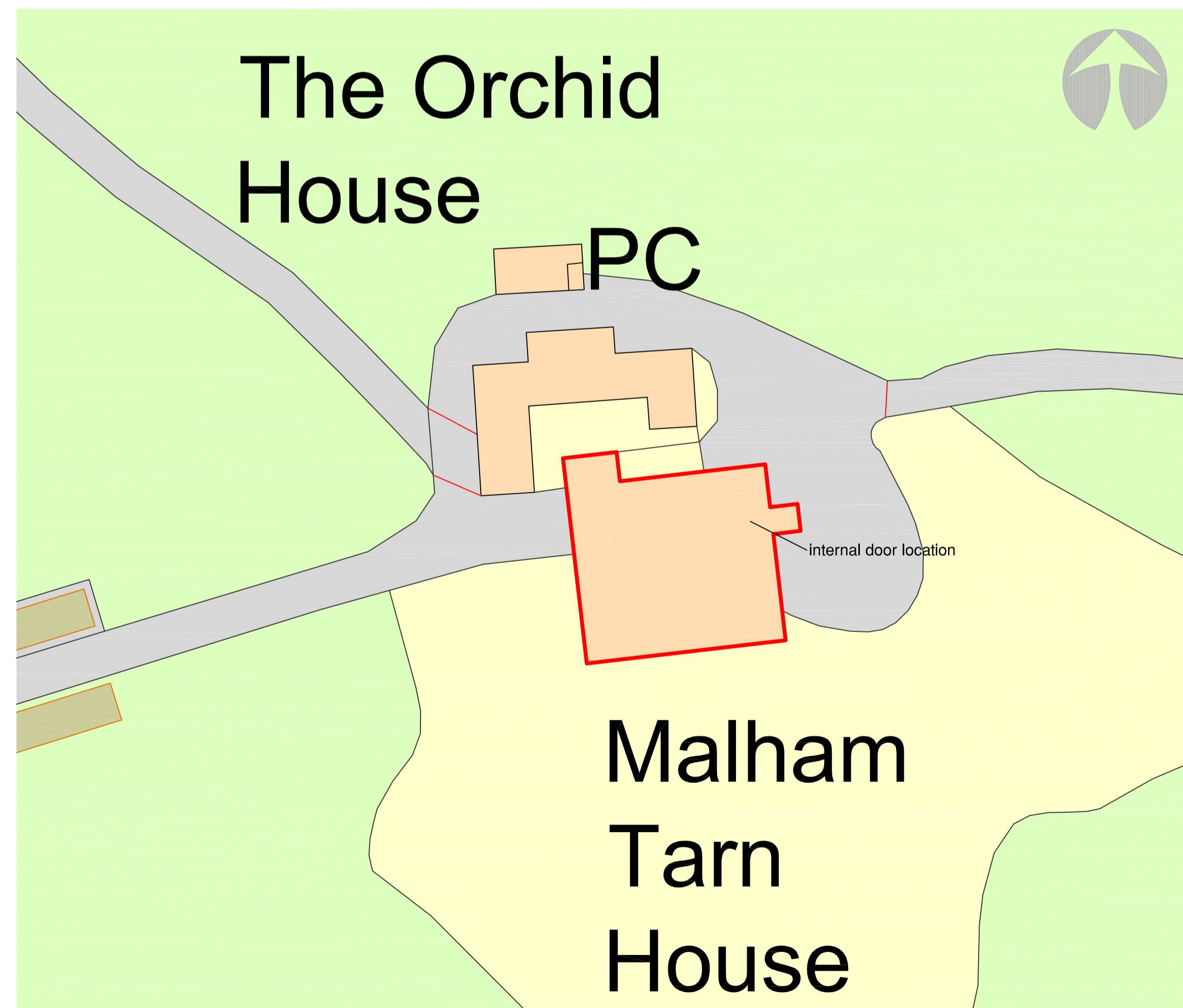




Location Plan scale 1:2500



Block Plan scale 1:500



Revision	Date
-	-

Stephen Craven Building Design

Chartered Architectural Technologist and Building Design Consultant

Tipperthwaite Barn Paley Green Lane
 Giggleswick Settle BD24 ODZ
 Tel 01729 824754 Mobile 07763 766702
 E-Mail stephen.craven@tiscali.co.uk

job:
 Proposed Reinstatement of Internal Door
 Malham Tarn Field Centre
 Malham Moor, Settle
 BD24 9PU

client:
 Field Studies Council

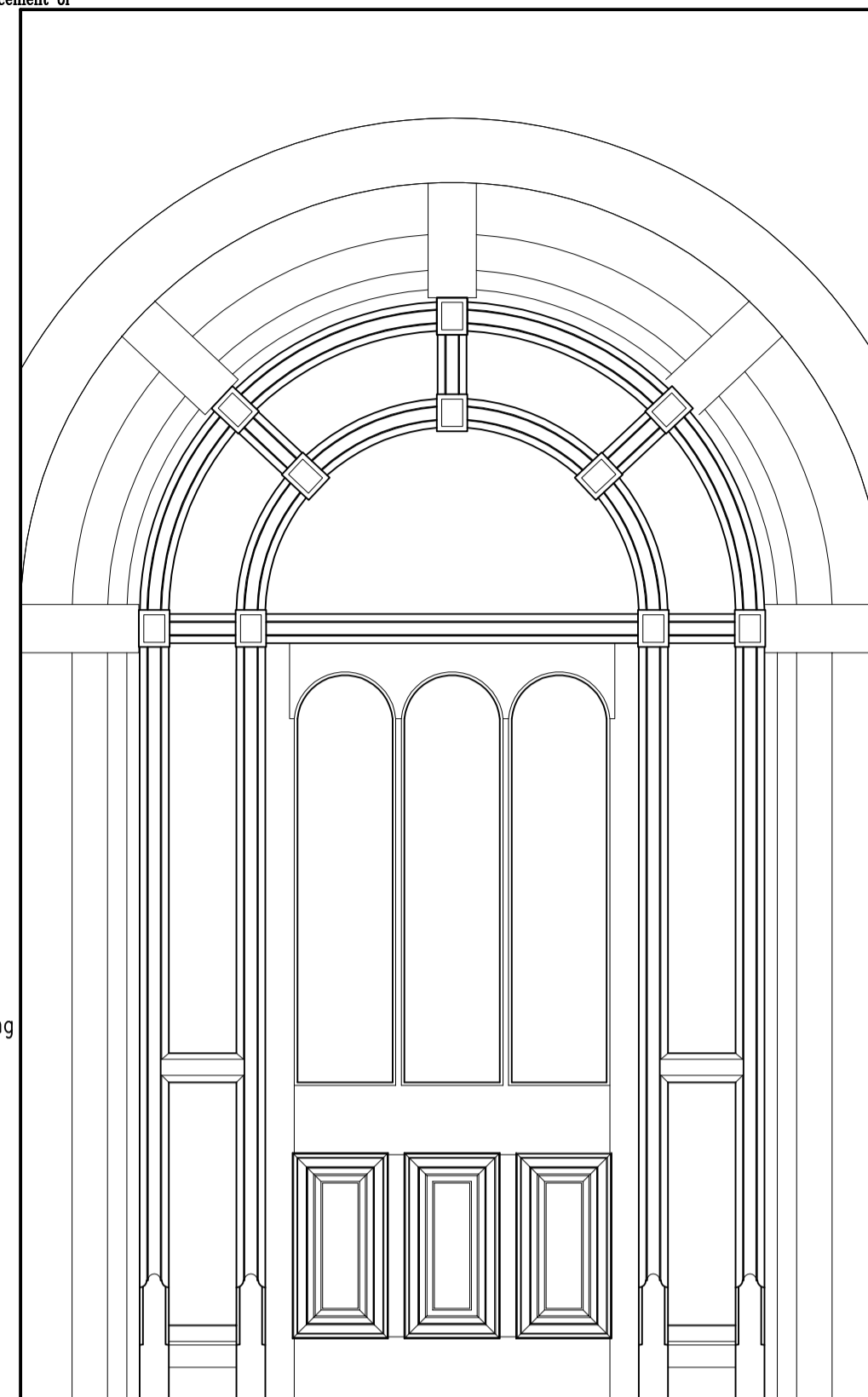
drawing:
 Location & Site Plan

scale: 1:2500, 1:500 @ A1 **date:** 01/17 **drawn:** smc

job no: 60/2016	drawing no: 02	rev: -
---------------------------	--------------------------	------------------

This drawing is the property of Stephen Craven Building Design Limited.
 Copyright is reserved and the drawing is issued on condition that it is not copied wholly or in part without the consent in writing of Stephen Craven Building Design Limited.
 Dimensions should not be scaled. All dimensions to be checked on site by the contractor before commencement of the relevant part of the work.

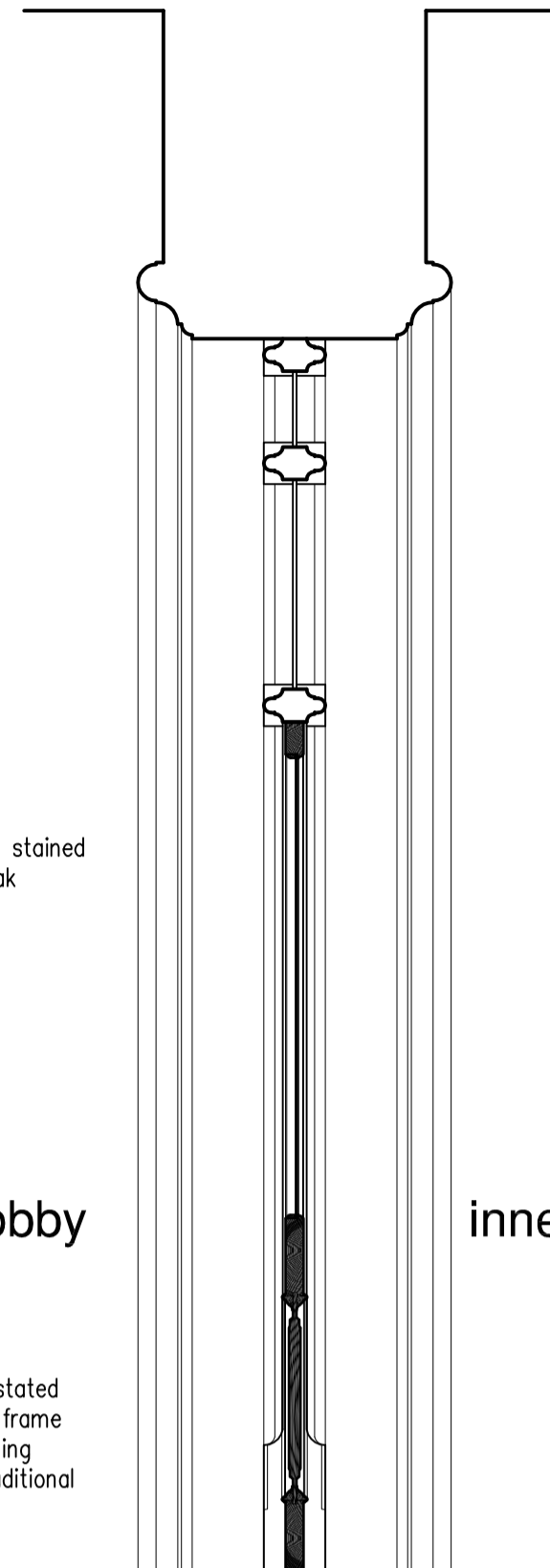
ironmongery to match existing front entrance door



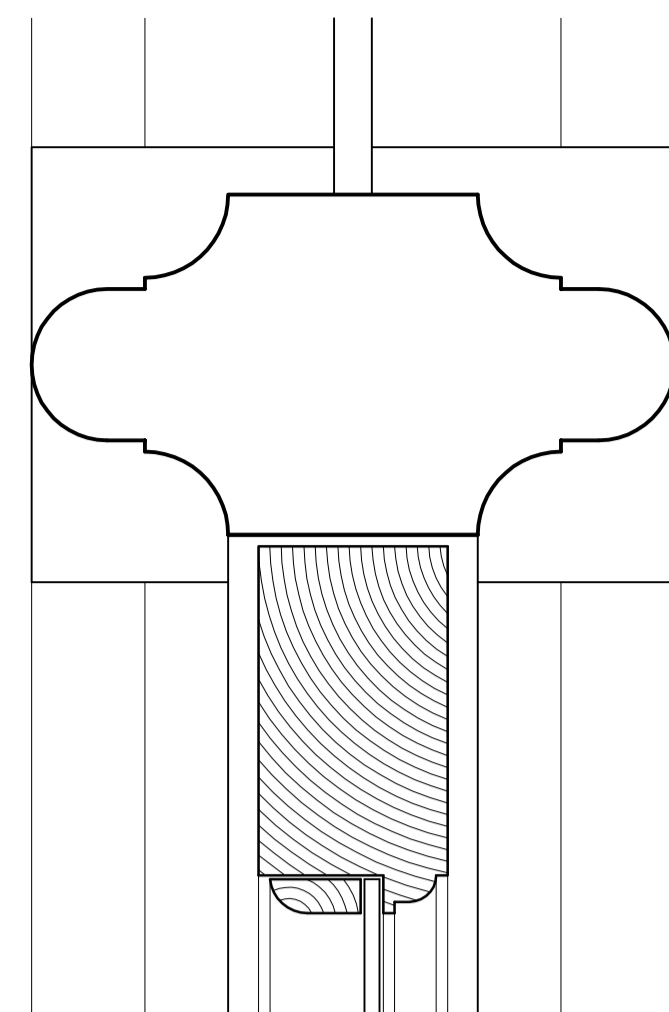
Elevation from Lobby

door formed in oak and stained up to match existing oak screen and frame

original door to be reinstated within the original door frame and screen using matching materials, finish and traditional joinery methods

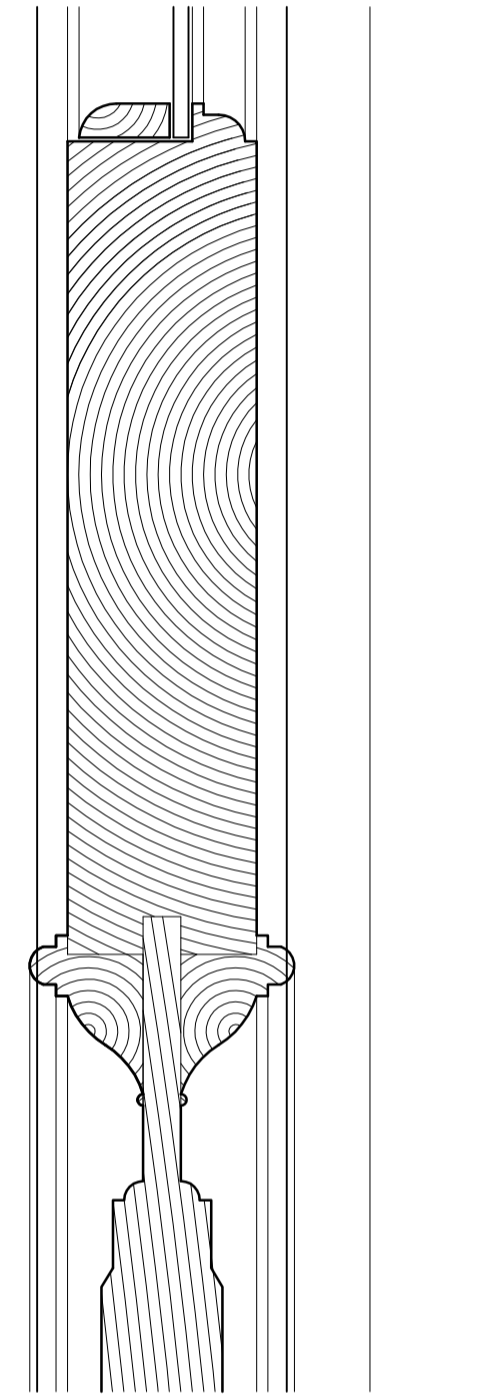


Section



top rail

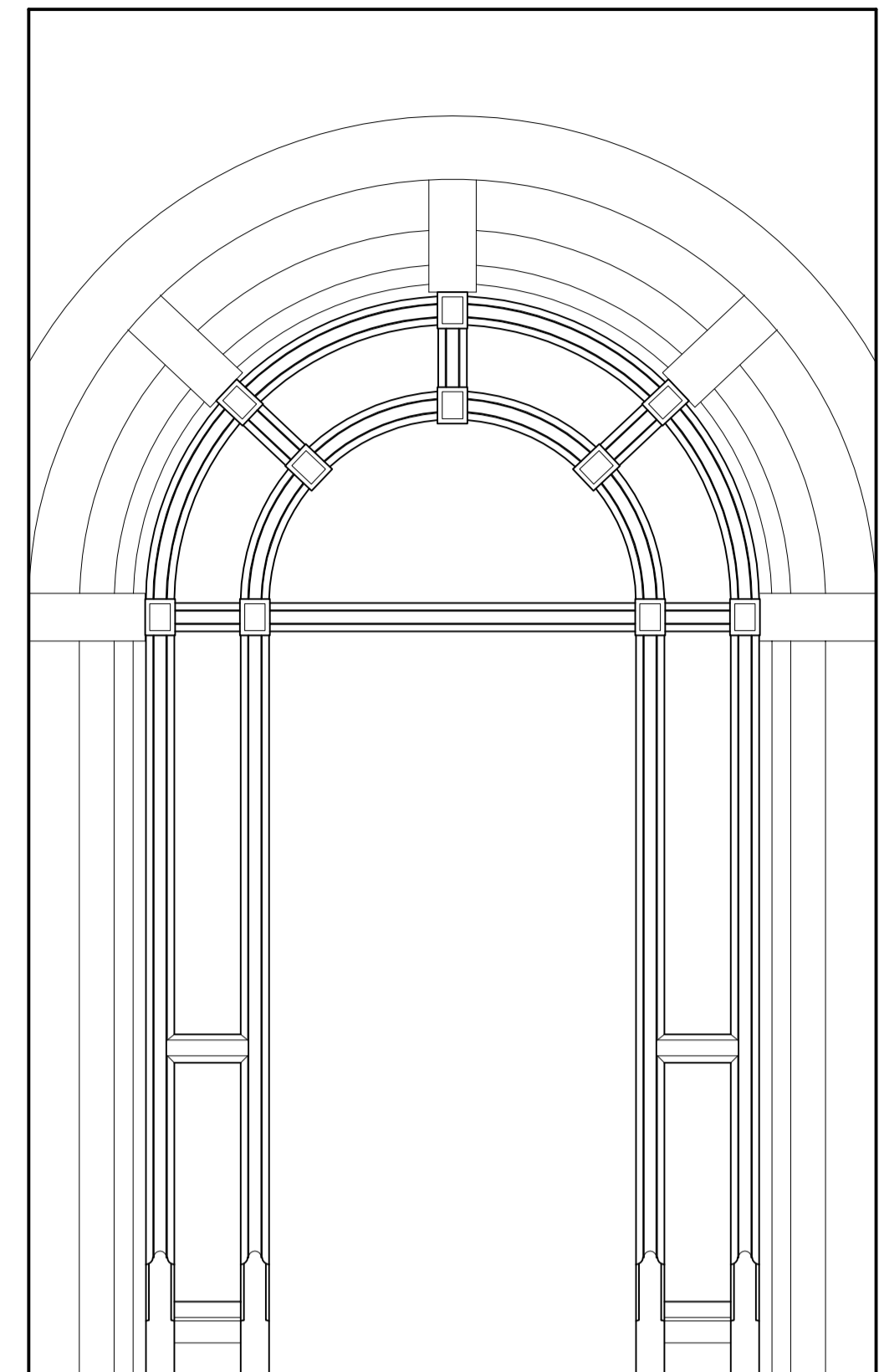
loose beading to lobby side with moulded rebate to inner hall side - glass to be toughened glazing set in glazing compound



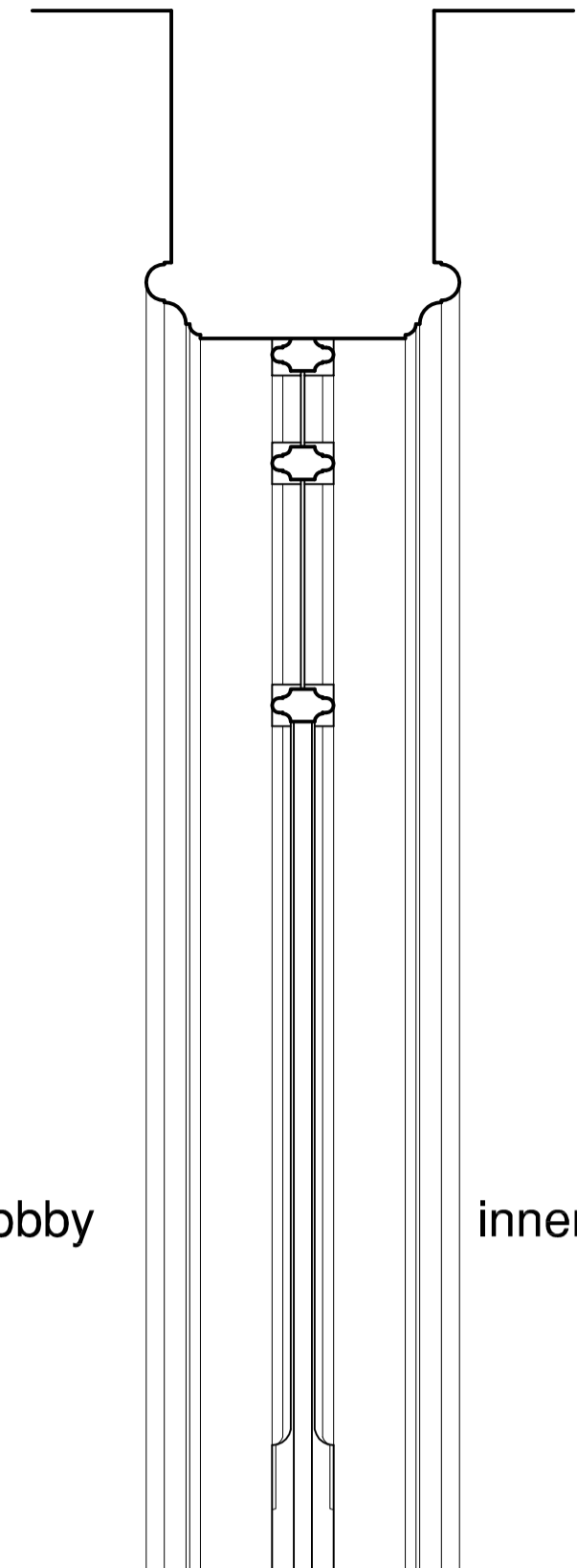
lock rail

raised and fielded panel with moulded perimeter cover bead, panel rebated into bottom and lock rail

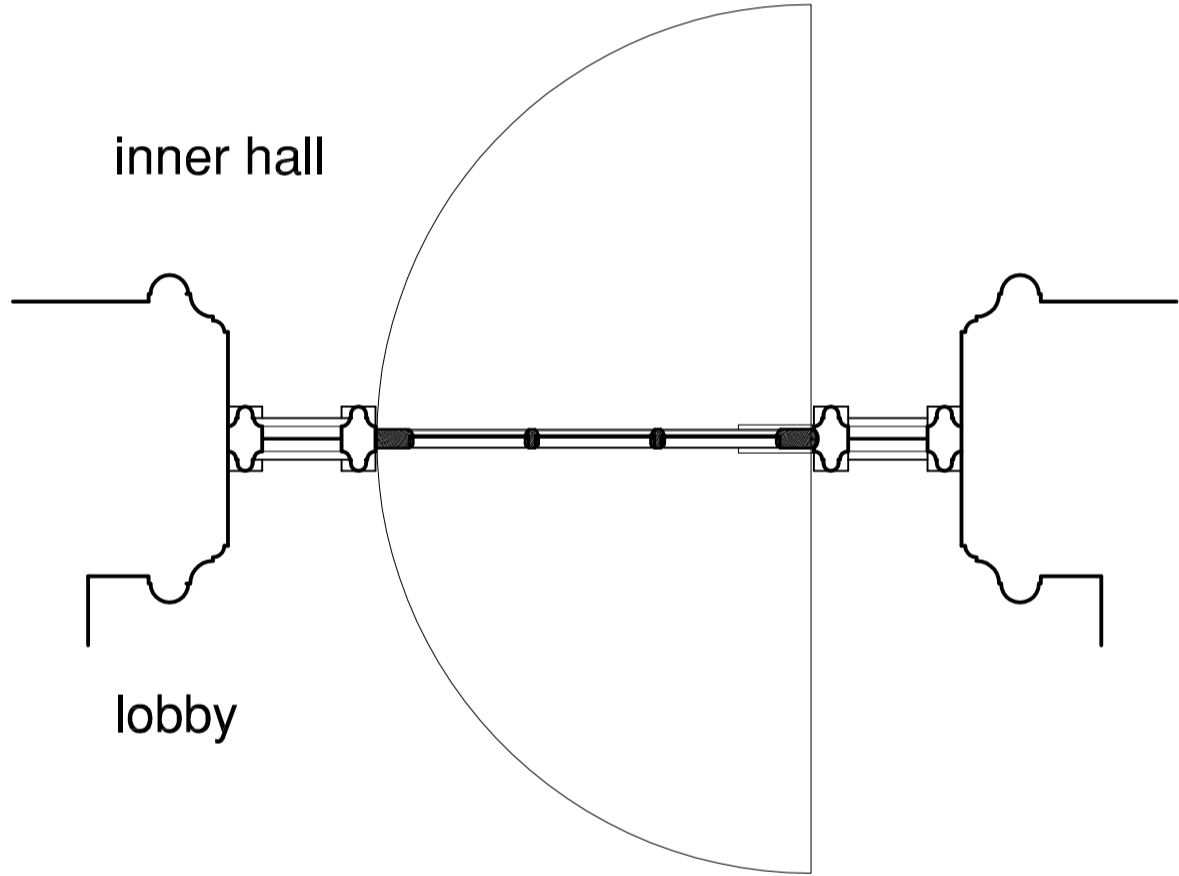
all detailing to match existing door to main entrance



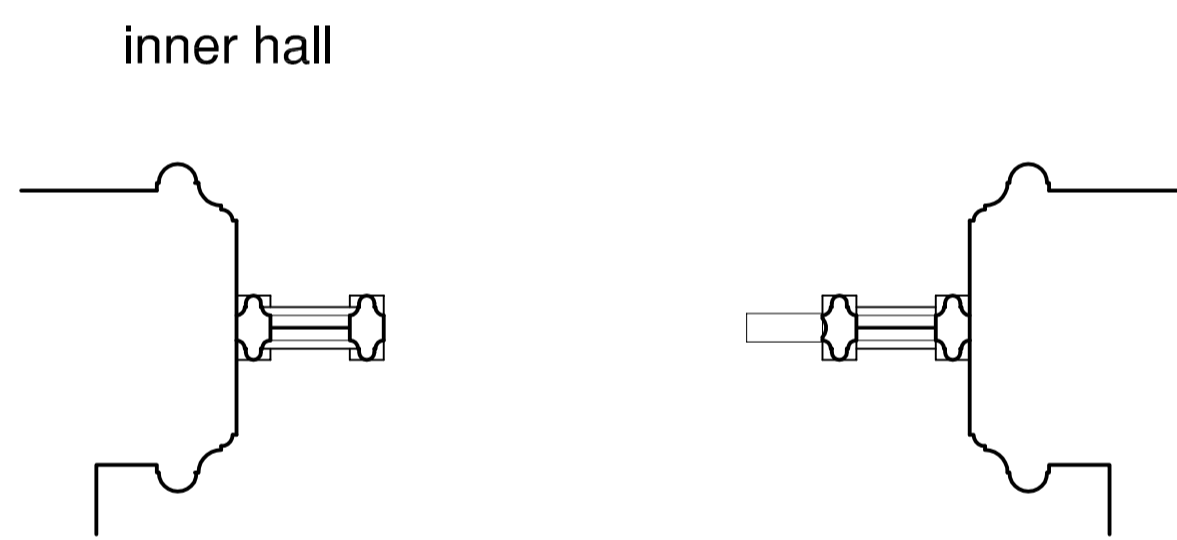
Existing Elevation from Lobby



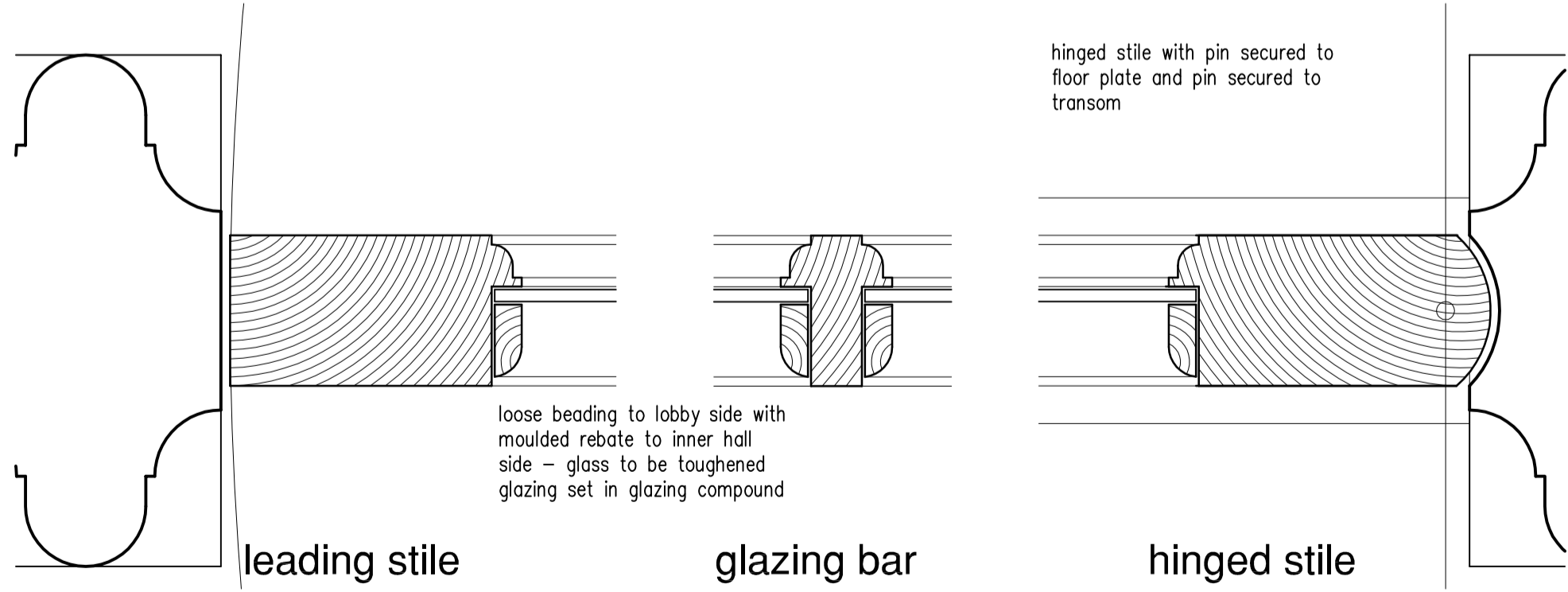
Existing Section



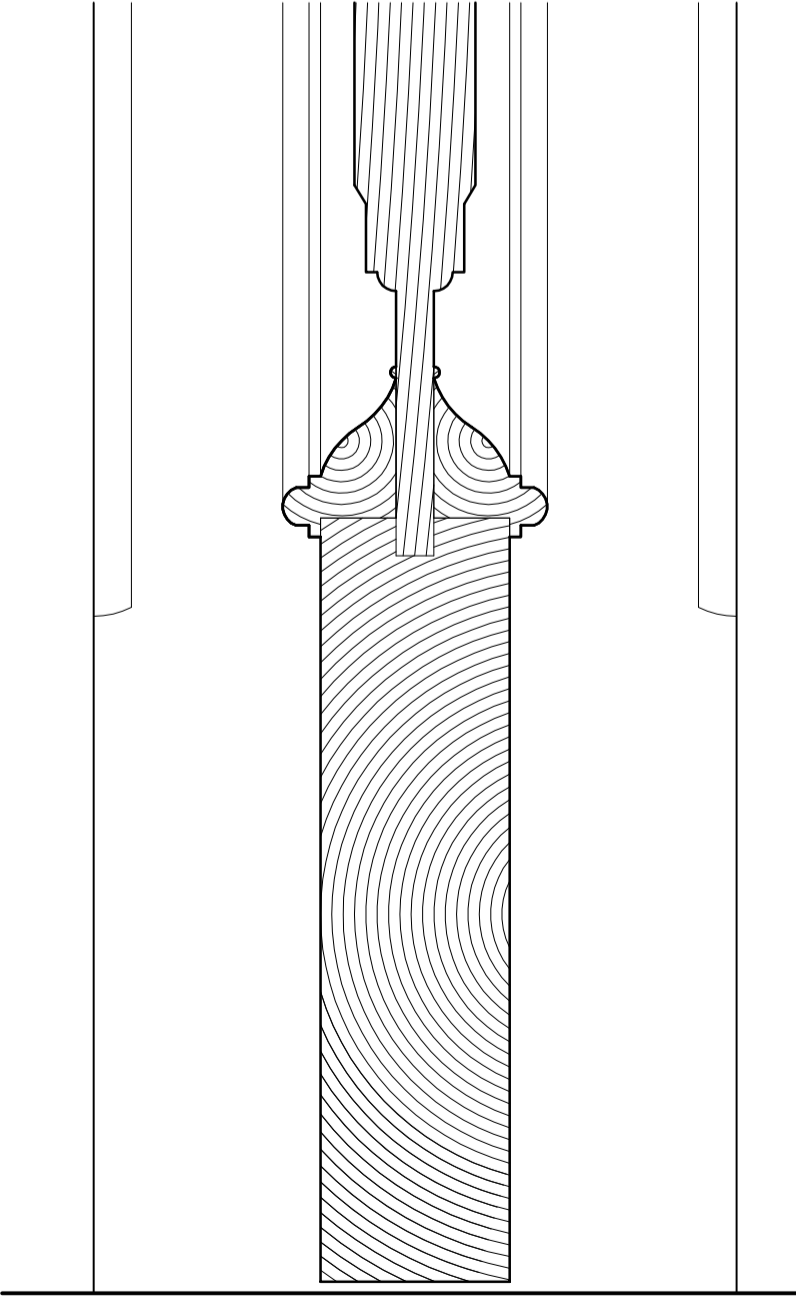
Plan



Existing Plan



Detail Plans



bottom rail

Detail Sections



Revision	Date

Stephen Craven Building Design

Chartered Architectural Technologist and Building Design Consultant

Tipperthwaite Barn Paley Green Lane
 Giggleswick Settle BD24 ODZ
 Tel 01729 824754 Mobile 07763 766702
 E-Mail stephen.craven@tiscali.co.uk

job:
 Proposed Reinstatement of Internal Door
 Malham Tarn Field Centre
 Malham Moor, Settle
 BD24 9PU
 client:
 Field Studies Council

drawing:
 Existing & Proposed

scale: 1:20, 1:2 @ A1 date: 01/17 drawn: smc

job no: 60/2016 drawing no: 01 rev: -