



THE NATIONAL TRUST
YORKSHIRE & NORTH EAST REGION

Title: Location of Application Site at Middle House Farm
RECEIVED BY:-
Yorkshire Dales National Park Authority

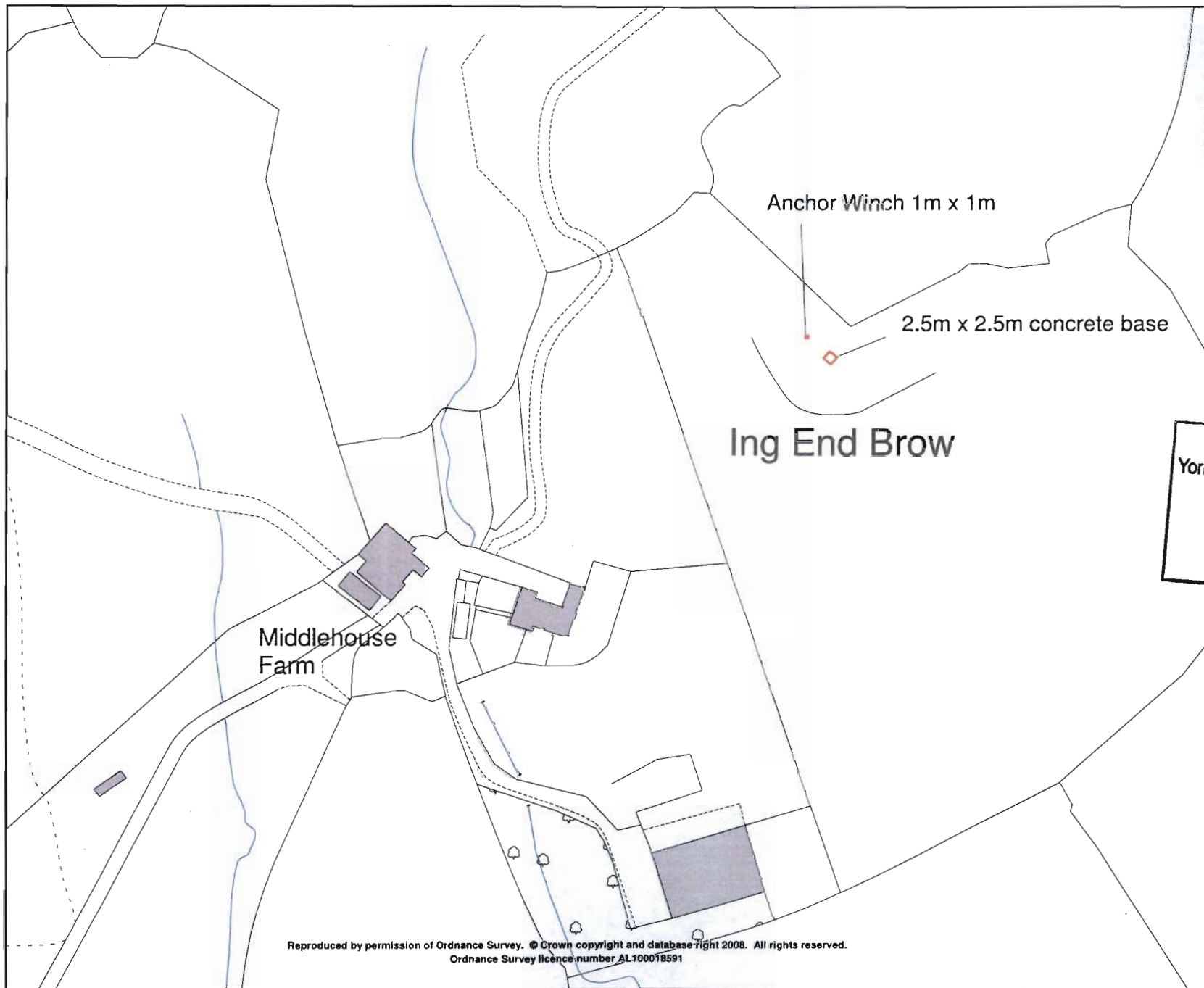


Scale 1/10,000
Date 9/7/2008

27 OCT 2008
User Jenny Ludman

Reproduced by permission of Ordnance Survey © Crown copyright and database right 2005
All rights reserved






**THE
 NATIONAL
 TRUST**

**YORKSHIRE AND
 NORTH EAST REGION**
 GODDARDS
 27 TADCASTER ROAD
 YORK
 YO24 1GG
 Telephone 01904 702021
 Facsimile 01904 771970

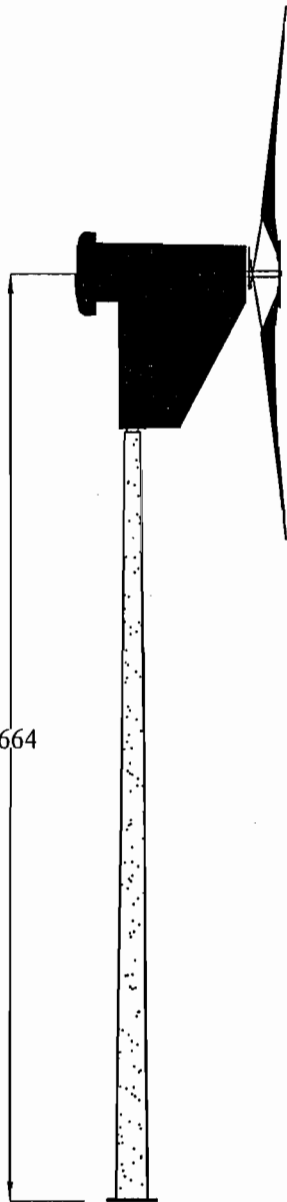
RECEIVED BY:-
 Yorkshire Dales National Park Authority
 27 OCT 2008

TITLE	Wind Turbine Application Middlehouse Farm Grid Ref SD9094, 6770
PROPERTY	Malham Tarn Estate
SCALE	1:1,000
FILENAME	J Ludman
DATE	23rd May 2008

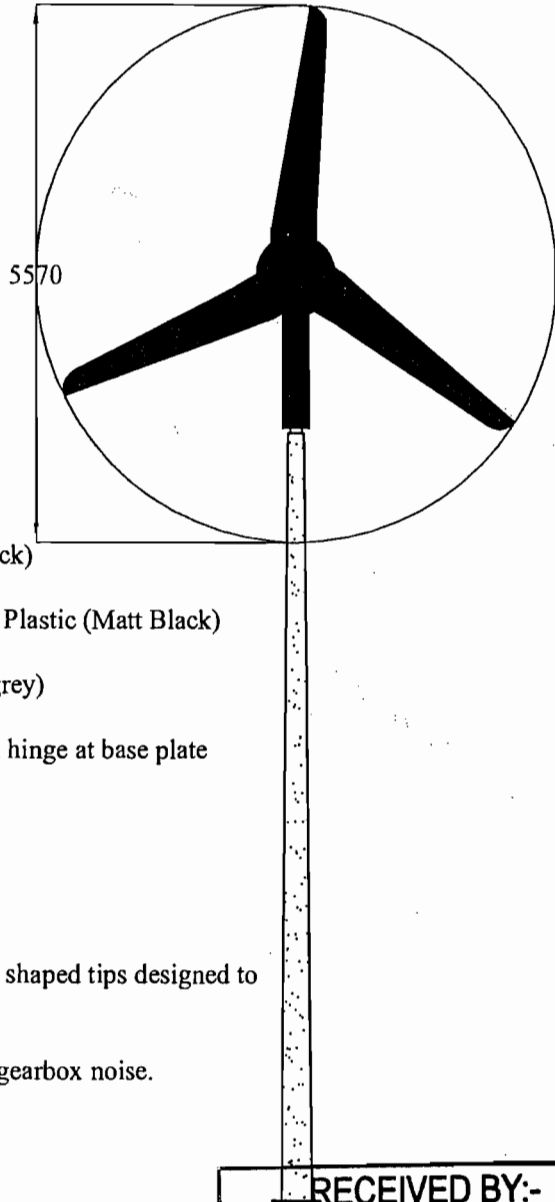
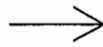


Reproduced by permission of Ordnance Survey. © Crown copyright and database right 2008. All rights reserved.
 Ordnance Survey licence number AL100018591

Proven WT6000 6kW Wind Turbine with TM900 9m Mast



Maximum Thrust
10,000 Newtons



Rotor rotates to wind direction

Colours

BLADES: Wood Epoxy (Matt Black)

TURBINE HEAD: Polypropylene Plastic (Matt Black)

TOWER: Galvanised Steel (Dull grey)

Tower is on tilt up/down type with hinge at base plate

Rotor has fail-safe speed control

Noise


Low swishing sound from blades - shaped tips designed to reduce noise.

There is no gearbox and hence no gearbox noise.

Nominal running speed 200rpm.

RECEIVED BY:-
Yorkshire Dales National Park Authority

27 OCT 2008

ZONE	REV	DESCRIPTION	REVISIONS	DATE	APPROVED			
	-	-		-	-			
	-	-		-	-			
	-	-		-	-			
						© Proven Engineering Products Ltd, Moorfield Industrial Estate, Kilmarnock, KA2 0BA, UK, Tel +44 1563 543 020 info@provenenergy.com All rights reserved		
						Proven WT6000 Wind Turbine with TM900 9m Tower Planning Drawing		
					PREPARED BY BR	FSCM NO.	DWG NO. 6000 PL 004 rev2.dwg	REV 1
					CHECKED BY KM	SCALE	Date 13/12/02	SHEET



RECEIVED BY:-
 Yorkshire Dales National Park Authority
 27 OCT 2008

Proven
 WT600
 with 2.5m
 rotor
 diameter
 on TM550
 5.5m tower

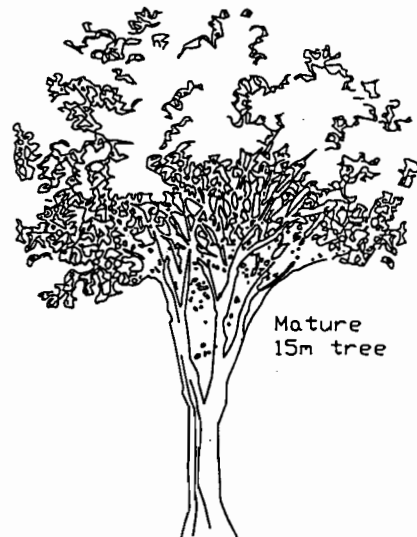
Proven
 WT2500
 with 3.5m
 rotor
 diameter
 on TM650
 6.5m tower

Proven
 WT2500
 with 3.5m
 rotor
 diameter
 on TM1100
 11m tower

Proven
 WT6000
 with 4.5m
 rotor
 diameter
 on TM900
 9m tower

Proven
 WT6000
 with 5.5m
 rotor
 diameter
 on TM1500
 15m tower

Proven
 WT15000
 with 9.4m
 rotor
 diameter
 on TM1500
 15m tower



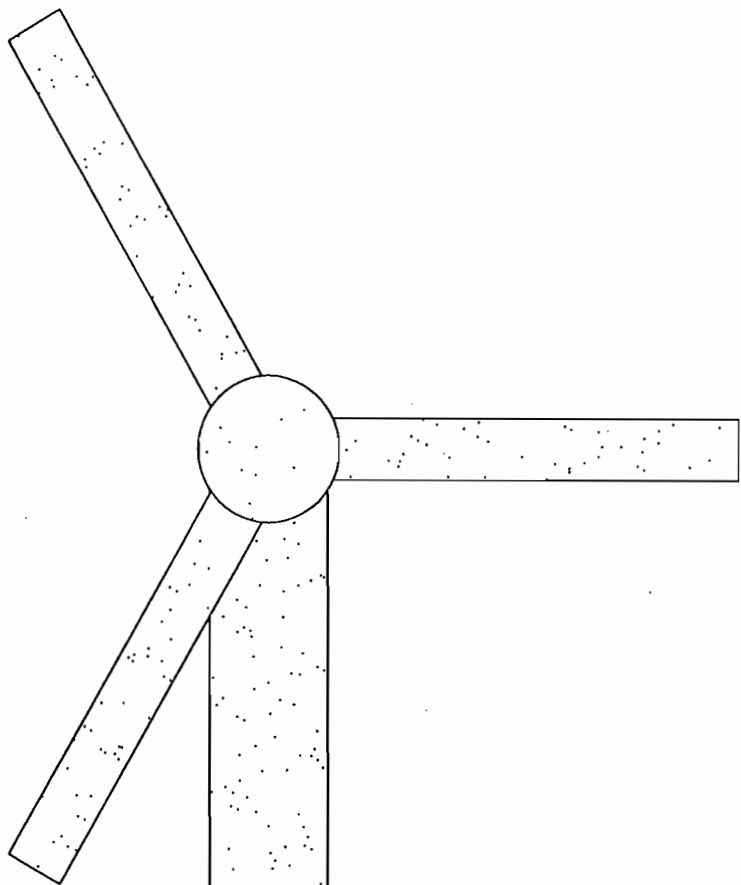
Mature
 15m tree

ZONE	REV	DESCRIPTION	REVISIONS	DATE	APPROVED	PREPARED BY AJP	CHECKED BY
-	-	-	-	-	-		
-	-	-	-	-	-	FSCM NO.	DWG NO. G PL 001_002 rev8.dwg
-	-	-	-	-	-	SCALE	DATE 15/03/2005
						SHEET	sheet

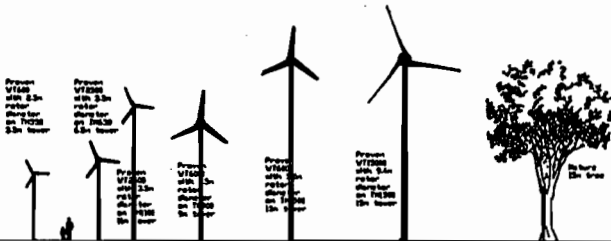


© Proven Energy Ltd, Wordhead Park, Stawerton,
 Ayrshire, KA3 5LH, Scotland +44 (0) 1560 485 570
 info@provenenergy.com All rights reserved

Comparison of Proven WTs and Self Supporting Masts
 G PL 001




Modern wind farm machine with
80m diameter and 100m tower eg
Vestas V80 or Nordex N80



RECEIVED BY:-
Yorkshire Dales National Park Authority

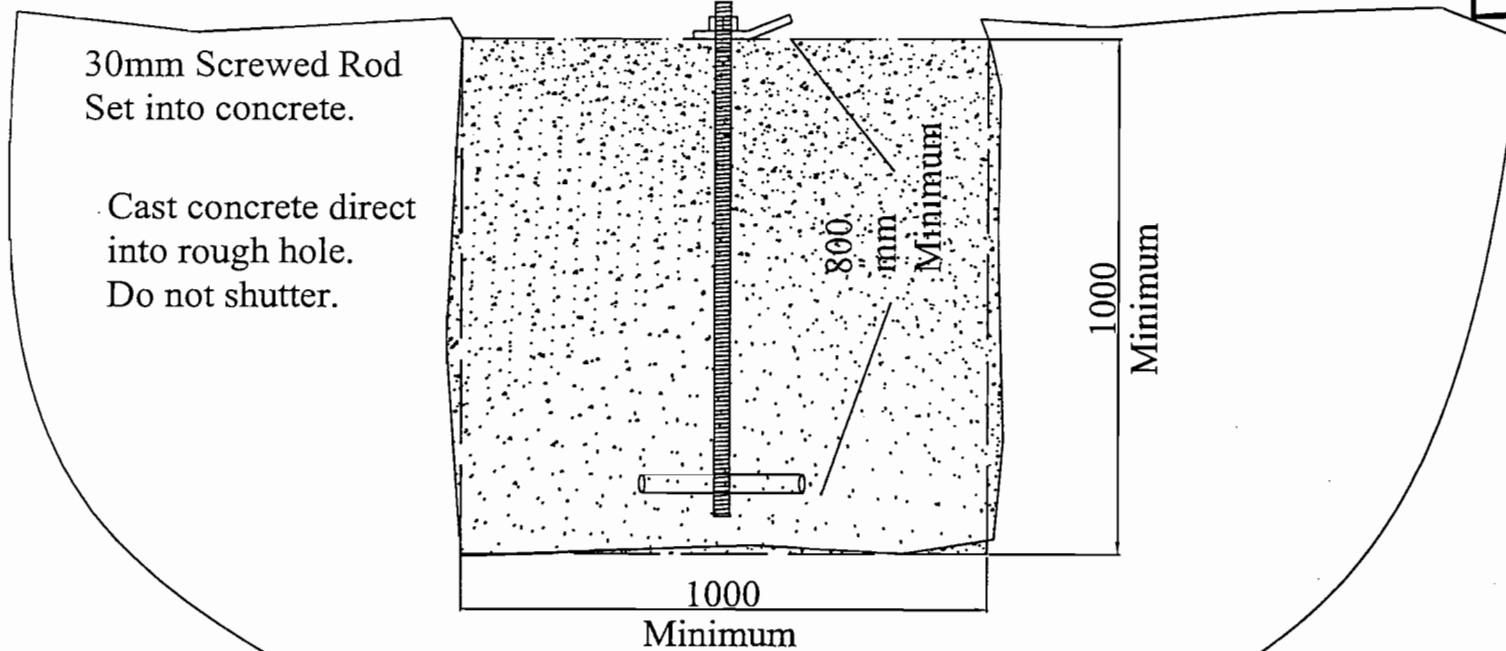
27 OCT 2008

ZONE	REV	DESCRIPTION	REVISIONS	DATE	APPROVED	© Proven Engineering Products Ltd, Wordhead Park, Stewarton, KA3 5LH, UK, Tel +44 1560 485 570 info@provenenergy.com All rights reserved		
	-	-		-	-			
	-	-		-	-			
	-	-		-	-			
						Comparison of Proven WTs to typical Wind Farm Wind Turbine G PL 002		
					PREPARED BY AJP	FSCM NO.	DWG NO. G PL 001_002 rev8.dwg	REV 8
					CHECKED BY	SCALE	Date 15/03/05	SHEET

ANCHOR BLOCK LAYOUT FOR PROVEN 6 WITH TM900 MAST

RECEIVED BY:-
 Yorkshire Dales National Park Authority
 27 OCT 2008

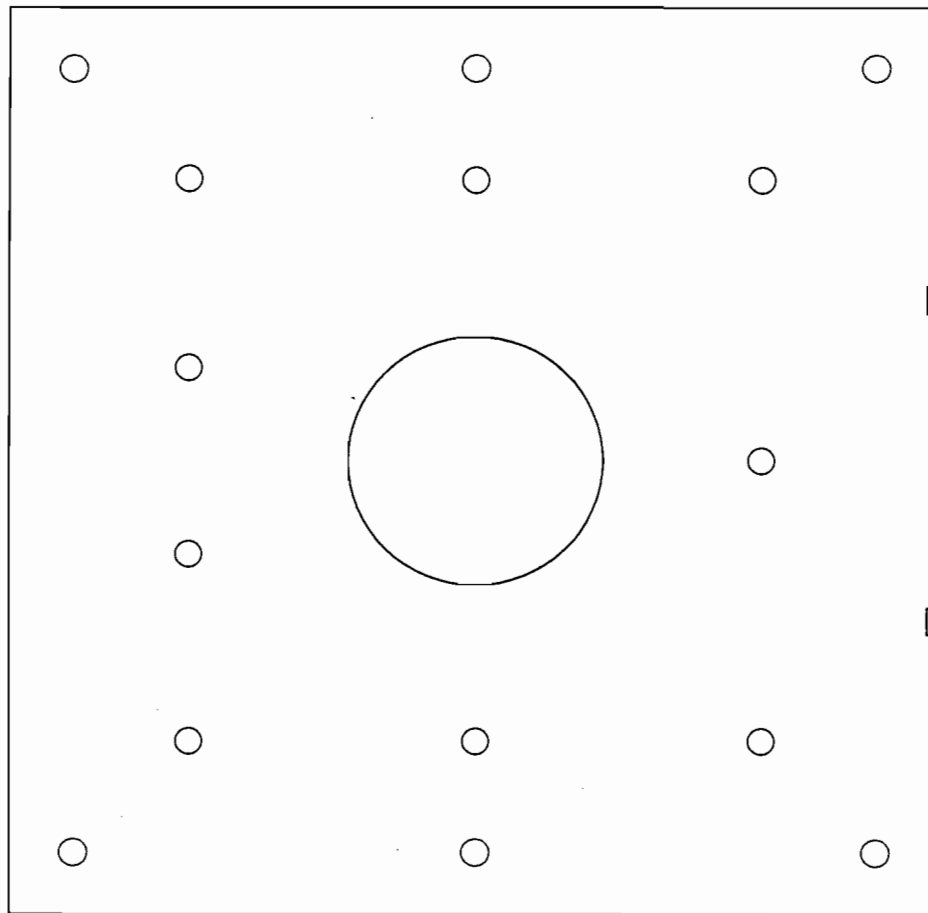
Secure winch attachment plate once the concrete has cured.



ALL SIZES IN MM

ZONE	REV	DESCRIPTION	REVISIONS	DATE	APPROVED	PREPARED BY	PH	CHECKED BY	KA	FSCM NO.	DWG NO.	REV	SCALE	DATE	SHEET
-	-	-	-	-	-						TM900_6000\FO 001.dwg	1		23/11/2006	
												© Proven Energy Ltd, Wardhead Park Stewarton, KA3 5LH, UK, Tel +44 1560 485 570 info@provenenergy.com All rights reserved			
										Drawing Title Proven 6 - 9M MAST ANCHOR BLOCK DETAILS					

RECEIVED BY:-
 Yorkshire Dales National Park Authority
 27 OCT 2008

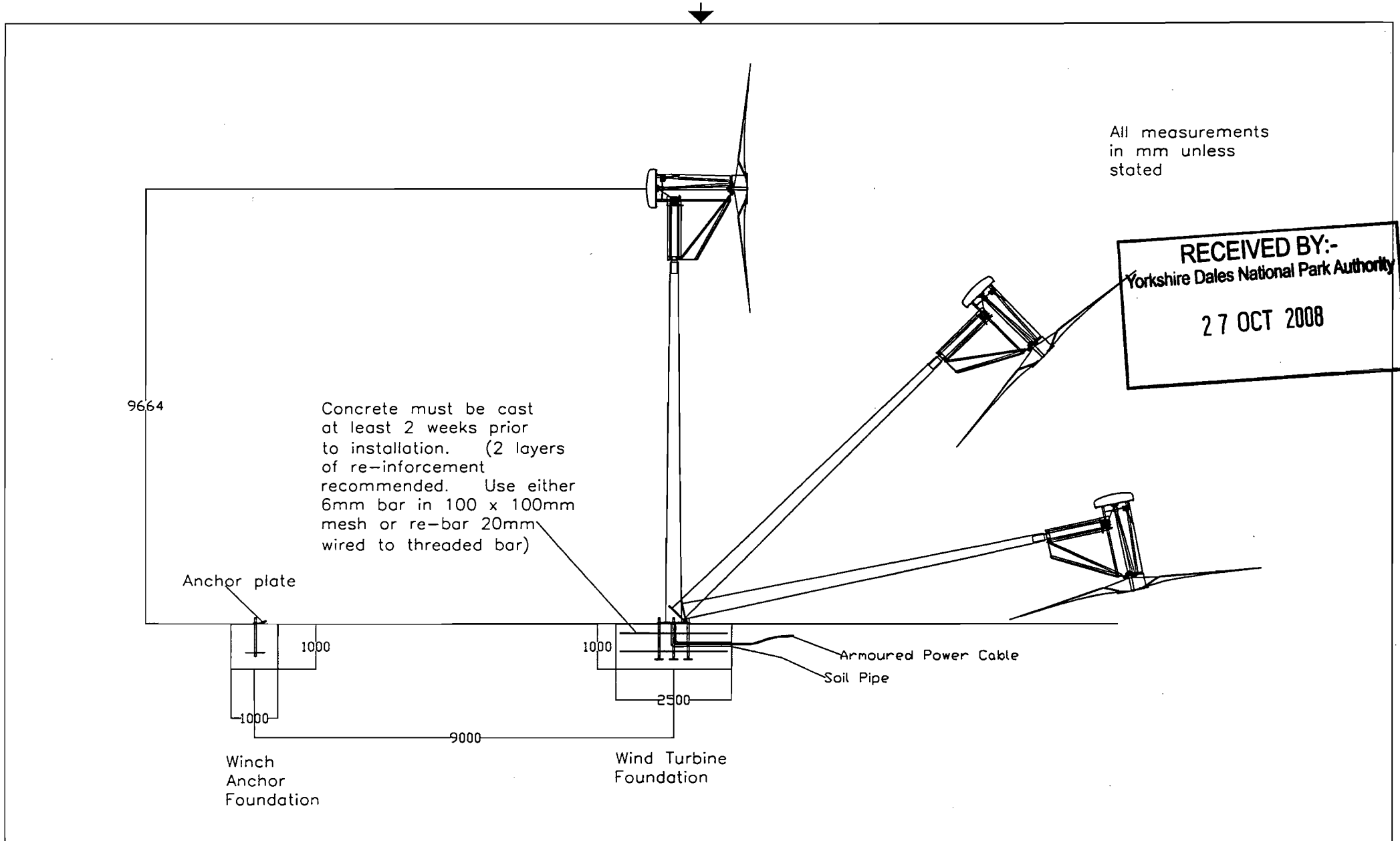


ZONE	REV	DESCRIPTION	REVISIONS	DATE	APPROVED	PREPARED BY RC	CHECKED BY	REV
	-	-	-	-	-			1
	-	-	-	-	-	FSCM NO.	DWG NO. 6000 FO 027.dwg	
	-	-	-	-	-	SCALE	DATE 09/09/03	SHEET sheet



© Proven Energy Ltd, Wardhead Park
 Stewarton, KA3 5LH, UK, Tel +44 1560 485 570
 info@provenenergy.com All rights reserved

Drawing Title WT6000/TMS00 Baseplate Drawing



ZONE	REV	DESCRIPTION	REVISIONS	DATE	APPROVED	PREPARED BY KA	CHECKED BY PH
-	-	-	-	-	-	FSCM NO.	DWG NO. 6000 FO 006 rev 5.dwg
-	-	-	-	-	-	SCALE	DATE 23/11/2006
-	-	-	-	-	-	SHEET	sheet

PROVEN
ENERGY

© Proven Energy Ltd, Wardhead Park, Stewerton, KA3 5LH, Scotland, Tel +44 (0) 1560 485 570
info@provenenergy.com All rights reserved

Proven 6 Turbine with TM900 Self Supporting
TRI Up Tower (Side Elev)